



*Elektromotoren und
Gerätebau Barleben GmbH*



**OPERATING INSTRUCTIONS
Reflux lock ZG 4.1.**

The reflux lock (or return stop) ZG 4.1. (**Figure 1**) is arranged between the test valve of the Buchholz relay and the gas testing device ZG 3.1., or between the gas outlet of the gas sampler ZG 1.2. and the gas testing device ZG 3.1. (**Figure 2**).

The reflux lock ensures that insulating liquid does not get into the gas tester. (The insulating liquid drawn in is accumulated in the glass cylinder.)

The cheese-head screw (**Figure 1/ Number 1**) serves to drain the reflux lock.

After use the reflux lock should be cleaned with naphtha.

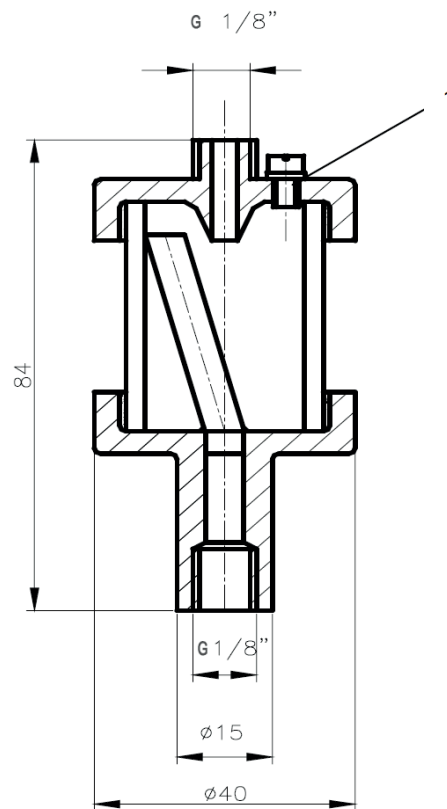


Figure 1 - Reflux lock ZG 4.1.

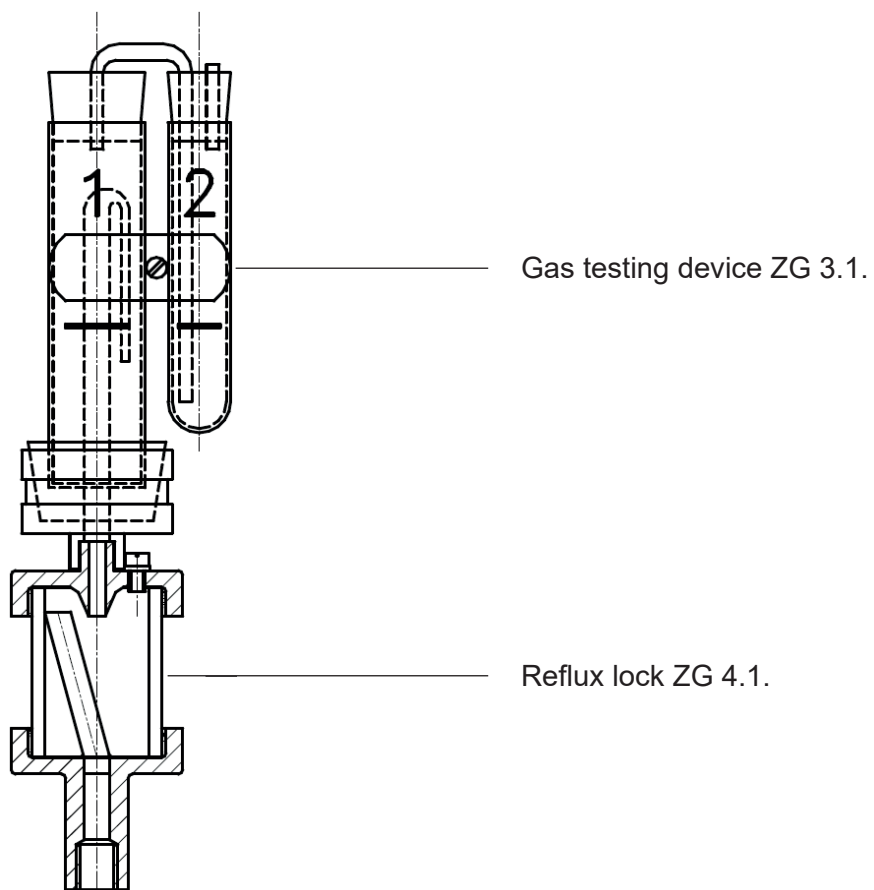


Figure 2 - Reflux lock ZG 4.1. with gas testing device ZG 3.1.

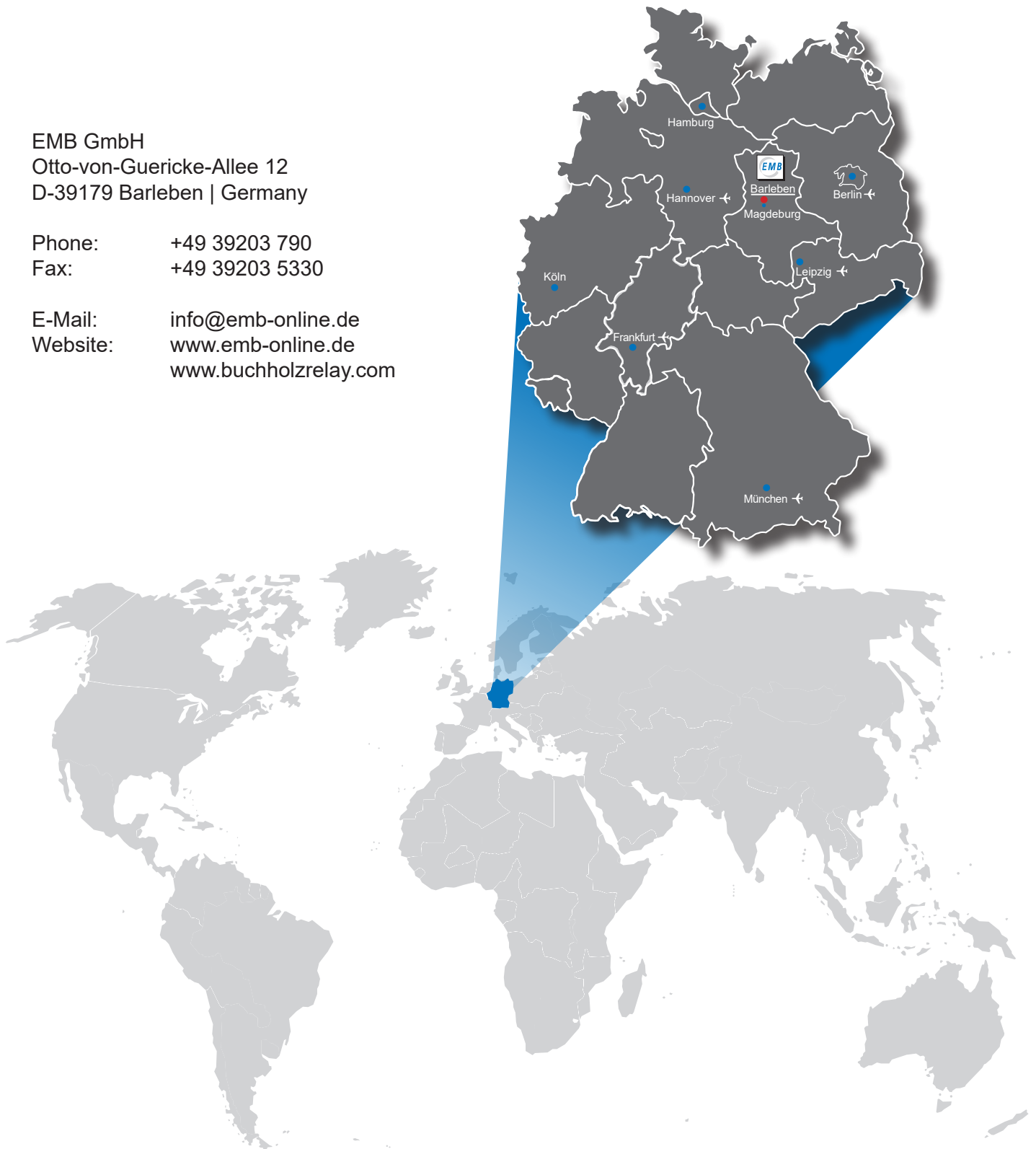


Elektromotoren und Gerätebau Barleben GmbH

EMB GmbH
Otto-von-Guericke-Allee 12
D-39179 Barleben | Germany

Phone: +49 39203 790
Fax: +49 39203 5330

E-Mail: info@emb-online.de
Website: www.emb-online.de
www.buchholzrelay.com



Due to technical improvement of our products, the information contained in these operating instructions is subject to change without notice. We would like to apologize for any printing errors which have not been found despite of intensive proof-reading.